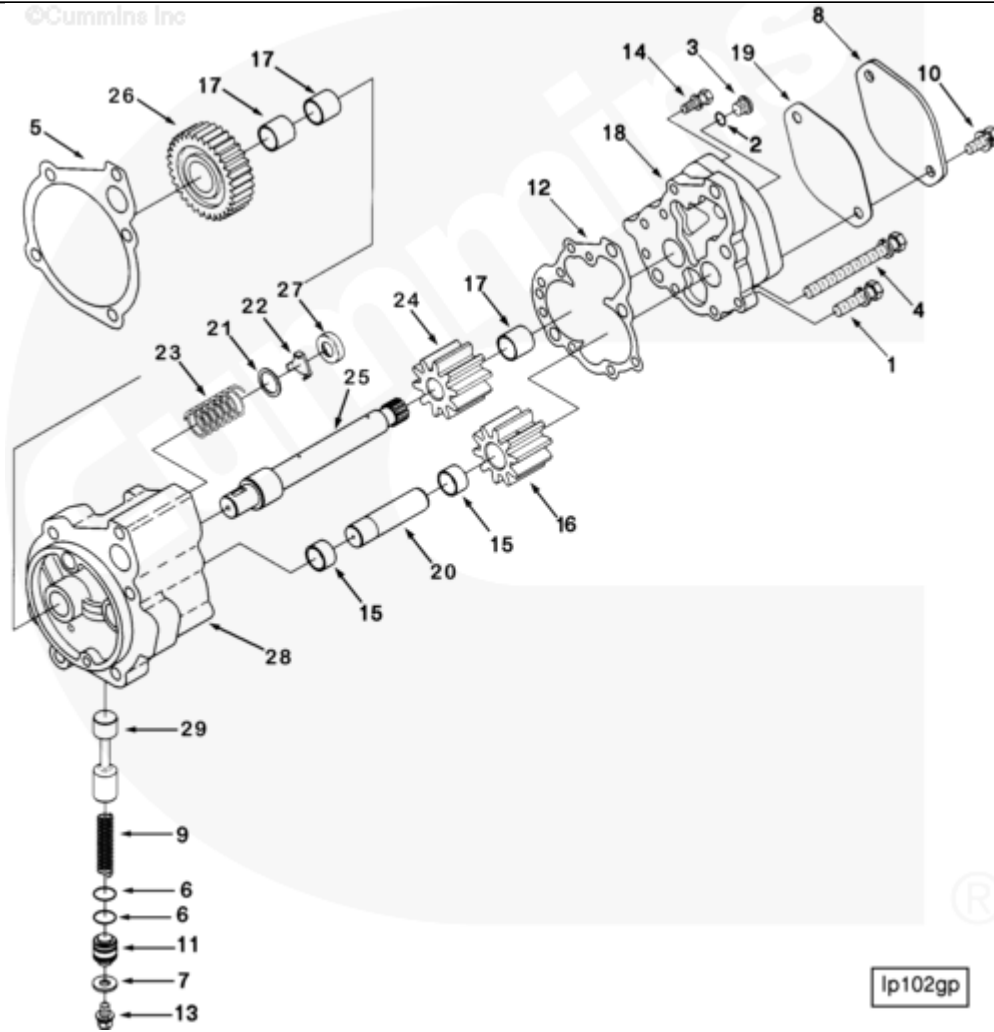




## Parts Catalog - Option Detail

Electronic Parts Catalog - Option Detail				
Option	Group	Graphic	Film Card	Date
LP1701-05	07.06	lp102gp	FF	15-OCT-98
<b>Engines</b>	G855, G855 CM558, GTA855 CM558 (CM2358) G101, N14 CELECT, N14 CELECT PLUS, N14 MECHANICAL, NH/NT 855, QSM11 CM876 M101, QSM11 CM876 M102M, QSN14 CM876 N103, QSN14 CM876 N105, QSNT14 CM876 N102			



[SMALL](#) | [MEDIUM](#) | [LARGE](#)

Cart	Ref No	Part Number	Part Description	Required	Remarks
<a href="#">View My Cart</a>					
		LP1701-05	Lubricating Oil Pump		<a href="#">Lubricating oil pump and...(More)</a>
					mounting. Less oil
					temperature sensor. For use

					on STC engines. Includes
					spur gear. For use with
					large shaft accessory drive
					assemblies. For SAE A drive
					specifications.
<input type="checkbox"/>	1	<a href="#">3034526</a>	Captive Washer Cap Screw	3	7/16 - 20 x 1 3/4 inch
<input type="checkbox"/>		<a href="#">3037536</a>	Threaded Plug	1	9/16 - 18 UNF
<input type="checkbox"/>	2	<a href="#">3037537</a>	O-Ring Seal	1	
	3	<a href="#">3040813</a>	Threaded Plug	1	9/16 - 18 UNF
<input type="checkbox"/>	4	<a href="#">3067461</a>	Captive Washer Cap Screw	2	7/16 - 20 x 4 1/2 inch
<input type="checkbox"/>	5	<a href="#">3067613</a>	Lubricating Oil Pump Gasket	1	
<input type="checkbox"/>		<a href="#">3609832</a>	Lubricating Oil Pump	1	
<input type="checkbox"/>	6	<a href="#">145504</a>	O-Ring Seal	2	
<input type="checkbox"/>	7	<a href="#">146161</a>	Plain Washer	1	3/8 in.
<input type="checkbox"/>	8	<a href="#">204048</a>	Cover Plate	1	
<input type="checkbox"/>	9	<a href="#">3010146</a>	Compression Spring	1	
<input type="checkbox"/>	10	<a href="#">3010595</a>	Captive Washer Cap Screw	2	3/8 - 16 X 1 in.
<input type="checkbox"/>	11	<a href="#">3012726</a>	Retainer Plug	1	
<input type="checkbox"/>	12	<a href="#">3014778</a>	Lubricating Oil Pump Cover Gasket	1	
<input type="checkbox"/>	13	<a href="#">3022589</a>	Captive Washer Cap Screw	1	5/16 - 18 X 5/8 in.
<input type="checkbox"/>	14	<a href="#">3022590</a>	Captive Washer Cap Screw	7	5/16 - 18 x 1 inch
<input type="checkbox"/>		<a href="#">3045622</a>	Lubricating Oil Pump Gear	1	
<input type="checkbox"/>	15	<a href="#">68365</a>	Bushing	2	
	16	<a href="#">3045618</a>	Lubricating Oil Pump Gear	1	
<input type="checkbox"/>		<a href="#">3068461</a>	Lubricating Oil Pump Cover	1	
<input type="checkbox"/>	17	<a href="#">69521</a>	Bushing	1	
	18	<a href="#">3068459</a>	Lubricating Oil Pump Cover	1	
<input type="checkbox"/>	19	<a href="#">3166307</a>	Hydraulic Pump Gasket	1	
		<a href="#">3609828</a>	Lubricating Oil Pump	1	

<input type="checkbox"/>	20	<a href="#">3012531</a>	Idler Shaft	1	
<input type="checkbox"/>	21	<a href="#">3014754</a>	Plain Washer	1	3/4 inch
<input type="checkbox"/>	22	<a href="#">3014755</a>	Valve Disc	1	
<input type="checkbox"/>	23	<a href="#">3014756</a>	Compression Spring	1	
<input type="checkbox"/>	24	<a href="#">3609888</a>	Lubricating Oil Pump Gear	1	
<input type="checkbox"/>	25	<a href="#">3609825</a>	Lubricating Oil Pump Drive Shaft	1	
<input type="checkbox"/>	26	<a href="#">3609824</a>	Lubricating Oil Pump Gear	1	
<input type="checkbox"/>	27	<a href="#">3412892</a>	Retainer Plug	1	
		<a href="#">3821577</a>	Lubricating Oil Pump Body	1	
	28	<a href="#">3087812</a>	Lubricating Oil Pump Body	1	
<input type="checkbox"/>	17	<a href="#">69521</a>	Bushing	2	
<input type="checkbox"/>	29	<a href="#">3884126</a>	Pressure Regulator Plunger	1	